



ASTROPHYSICS™
TOMORROW'S TECHNOLOGY FOR TODAY'S SECURITY



XIS-6040M

High Mobility Screening

Checkpoint Security: Small Baggage and Parcel Inspection



TRANSPORTATION

Airport entrances and perimeters,
air cargo, and checkpoint technology.



PORTS & BORDERS

Border control, sea ports, and
other large cargo sectors.



CRITICAL INFRASTRUCTURE

Access control for prisons, courthouses,
mailrooms, hotel entrances and
military bases.

The XIS-6040M (Mobile) is an X-Ray Inspection System with tunnel dimensions of 60 cm x 40 cm (23.6" x 15.7"). The XIS-6040M is specifically designed for easy relocation at prisons, ships, banks, courthouses, government facilities and other high security checkpoints where rapid deployment and quick system operation is essential.

The XIS-6040M features larger heavy duty wheels, stainless steel handle bars and a lockable operator control panel which folds seamlessly into the system when not in use.

The XIS-6040M is equipped with a powerful 160kV generator and a design that enables fast maneuvering for an immediate screening solution.

All Astrophysics X-ray Inspection Systems are equipped with Real-Time Diagnostics, a unique Astrophysics feature which allows users to monitor system health. This software was specifically engineered to save you valuable time and money. If requested, Astrophysics would also be able to connect to your system and troubleshoot any issues remotely.

An exclusive Astrophysics option is our 6 Color Imaging, which enables operators to view screened objects in 6 colors, each color correlating to a specific range of Atomic Z-Numbers. 6 Color Imaging enables operators to achieve optimal material identification which improves throughputs.

Astrophysics is committed to providing quality products and services nationwide. We listen to our customers and offer customizations and order flexibility based on their needs.

Backed by a team of engineers from our City of Industry, California center of excellence headquarters, Astrophysics designs cutting-edge X-ray screening technology for detecting weapons and contraband for transportation, ports, borders, critical infrastructure and other industries that present security risks.

Astrophysics is headquartered in the United States and maintains a global presence with service delivery worldwide. Astrophysics is committed to global safety and is proud to present this new age of screening security—driving the industry into the technology of tomorrow.



PEO B.V.

info@gotopeo.com
www.gotopeo.com

The Netherlands

Havenweg 16, 6603 AS Wijchen
+31 (0)24 648 86 88

Belgium

Watermolenstraat 2, B-2910 Essen
+32 (0)3 309 32 09

CoC 34107894

VAT NL807859151B01

IBAN NL29 RABO 0356 1960 46

BIC RABONL2U





XIS-6040M

GENERAL SPECIFICATIONS

- Tunnel Opening: 60 cm x 40 cm (W x H) 23.6" x 15.7"
- Dimensions: 142 cm x 84.9 cm x 136.7 cm (L x W x H) 56" x 33" x 54"
- Shipping Dimensions: 152.4 cm x 97 cm x 168 cm (L x W x H)² 60" x 38.1" x 66.1"
- Net Weight : 430 kg (950 lbs)
- Shipping Weight²: 490 kg (1080 lbs)
- Conveyor Speed: 23 cm/s (45 ft/min) Forward or Reverse
- Conveyor Height: 80 cm (31.5") from Floor
- Conveyor Capacity: 165 kg (360 lbs) Evenly Distributed Load

TECHNICAL

- Sensitivity: 40 AWG Typical, 38 AWG Standard
- Spatial Resolution: 1.0 mm Horizontal, 1.0 mm Vertical
- Steel Penetration: 39 mm Typical, 37 mm Standard
- Contrast Sensitivity: 24 Visible Levels, 4096 Gray Level
- Film Safety: Guaranteed up to ISO 1600 (33 DIN)

X-RAY GENERATOR

- Voltage: 160kV, Operating at 150kV
- Tube Current: 0.7 mA
- Cooling: Sealed Di-Electric Oil Bath with Forced Air
- Duty Cycle: 100%, No Warm-Up Procedure Required
- Beam Direction: Diagonally Upward
- Detector: 1152 Channels in an L-Shaped Array

COMPUTER

- Processor: Intel® Core i5, 3.1 GHz, 6MB cache
- Memory: 4 GB RAM at 1333 MHz
- Storage: 500 GB HDD
- Video Card: 1 GB Video Card, Dual Digital Display
- Platform: Windows® OS
- Backup: Uninterruptible Power Supply (Computer Operation- 20min)

VIDEO

- Display Type: Single 19" LCD Color Monitor
- Display Resolution: 1280 x 1024; 24 Bit/Pixel Color

ENVIRONMENTAL

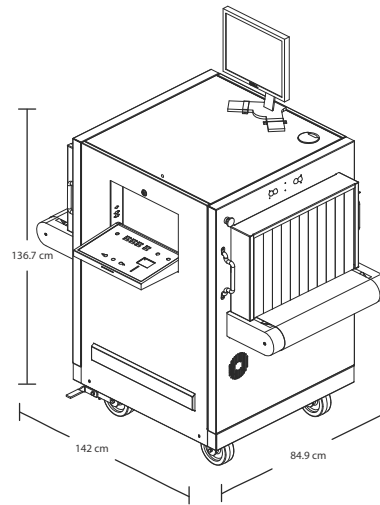
- Operating Temperature: 0°C - 40°C \ 32°F - 104°F
- Storage Temperature: -20°C - 60°C \ -4°F - 140°F
- Humidity: Up To 95% Non-Condensing

ELECTRICAL

- Power Requirements: 110VAC ±10%, 50/60Hz, 15 Amp Max
220VAC ±10%, 50/60Hz, 10 Amp Max

HEALTH AND SAFETY

- Compliant with USFDA, Center for Devices and Radiation Health Standards for Cabinet X-Ray Systems (21-CFR 1020.40)
- Typical Radiation leakage is less than 0.1 mR/hr (Leakage less than 0.5 mR/hr permitted by the Federal Standard)



STANDARD FEATURES

- 6 Color Imaging
- 9 Quadrant Zoom
- Atomic Z-Number Measurement
- Auto Image Archiving (150,000)
- Baggage Counter
- Color and Black/ White Imaging
- Continuous Scanning
- Continuous Zoom up to 64x
- Vertical Zoom Panning
- Geometric Image Distortion Correction
- High Penetration Function
- Larger Heavy Duty Casters
- Image Annotation
- Image Review
- Manual Bitmap Archive
- Material Discrimination
- Multi-Tier Accessibility
- Network Ready
- Organic/ Inorganic Imaging
- Operator Training
- Picture Perfect
- Print Image Capable
- Pseudo Color
- Real-Time Image Manipulation
- Real-Time Self Diagnostics
- Reverse Monochrome

OPTIONAL FEATURES³

- 24" LCD Monitor
- Computer Based Training (CBT)
- Custom Paint
- Density Alert
- Dual Monitors (19"LCD or 24"LCD)
- Entry / Exit Roller Tables (50 cm Increments)
- Footmat Operator Interlock
- Local Language Support
- Polar Kit
- Radiation Meter
- Remote Workstation Configuration
- Screener Assist Software
- Test Case
- Threat Image Projection (TIP) Software
- Tropical Kit
- Wireless Barcode Scanning

TEST IMAGE SCANS



¹ As tested on Astrophysics Inc. Test Piece.
² Weight of the system may vary depending on customization.
³ Optional Features may affect lead time, price, and weight of XIS-6040M. Please contact your Astrophysics Sales Representative for more information.
 Due to continued product research and development, Astrophysics Inc. reserves the right to amend all technical specifications without prior notice.

