



## 6040 VI-3D

## 3D-View Technology Single X-Ray Source



### TRANSPORTATION

Airport entrances and perimeters,  
air cargo, and checkpoint technology.



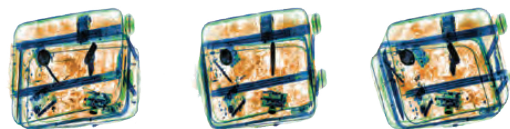
### PORTS & BORDERS

Border control, sea ports, and  
other large cargo sectors.



### CRITICAL INFRASTRUCTURE

Access control for prisons, courthouses,  
mailrooms, hotel entrances and  
military bases.



### SURROUND VIEW DISPLAY

The 6040 VI-3D features a display that rotates through three views, each from a different vantage point. With a unique 3D View experience, the 6040 VI-3D enhances operator depth perception and object visibility to eliminate blind spots.

With a tunnel opening of 62.1 cm x 42 cm (23.63" x 16.54") and a 180kV generator, the 6040 VI-3D is a compact and powerful system ideal for screening small to medium size parcels. The Astrophysics 3D View technology heightens the imaging capabilities of the traditional single generator source.

The VI Series upgrades and stainless steel accents accentuate the 6040 VI-3D technology. With a 24" LCD color monitor, the 6040VI-3D boasts a large, high quality image for enhanced threat detection.

Astrophysics 3D View, a higher class of x-ray technology.



#### PEO B.V.

info@gotopeo.com  
www.gotopeo.com

#### The Netherlands

Havenweg 16, 6603 AS Wijchen  
+31 (0)24 648 86 88

#### Belgium

Watermolenstraat 2, B-2910 Essen  
+32 (0)3 309 32 09

CoC 34107894

VAT NL807859151B01

IBAN NL29 RABO 0356 1960 46

BIC RABONL2U





6040 VI-3D

**GENERAL SPECIFICATIONS**

- Tunnel Opening: 60.0 cm x 42.1 cm  
(W x H) 23.6" x 16.6"
- Dimensions<sup>2</sup>: 187.2 cm x 83.3 cm x 134.6 cm  
(L x W x H) 73.7" x 32.8" x 53.0"
- Shipping Dimensions<sup>2</sup>: 231.1 cm x 96.5 cm x 160.0 cm  
(L x W x H) 91.0" x 38.0" x 63.0"
- Net Weight<sup>2</sup>: 717 kg (1580 lbs)
- Shipping Weight<sup>2</sup>: 785 kg (1730 lbs)
- Conveyor Speed: 23 cm/s (45 ft/min) Forward or Reverse
- Conveyor Height: 73.1 cm (28.8") from Floor
- Conveyor Capacity: 165 kg (364 lbs) Evenly Distributed Load
- Construction: Custom Steel Frame / Panels
- Support: Screw Jack Leveling Feet  
Heavy Duty Casters

**TECHNICAL**

- Sensitivity: 40 AWG Typical, 38 AWG Standard 1.0
- Spatial Resolution: mm Horizontal, 1.0 mm Vertical
- Steel Penetration: 41 mm Typical, 39 mm Standard
- Contrast Sensitivity: 24 Visible Levels
- Film Safety: Guaranteed up to ISO 1600 (33DIN)

**X-RAY GENERATOR**

- Voltage: 180kV, Operating at 170kV
- Tube Current: 1.2 mA
- Cooling: Sealed Di-Electric Oil Bath with Forced Air 100%, No Warm-Up Procedure
- Duty Cycle: Diagonally Upward
- Beam Direction: Diagonally Upward

**IMAGING**

- Processor: Core i7 Quad CPU
- Platform: Windows 7 Pro
- Memory: 8 GB RAM
- Storage: 1 TB HDD, 240 GB SSD
- Video Card: 4 GB Video Card
- Detector Arrays: 3 Total
- 3 Angle Display: Approx -18°, 0°, 18° From Vertical
- Display Method: "Rocking" Display Mode Cycles 3 Views

**VIDEO**

- Display Type: Single 24" LCD Widescreen Monitor, 144 Hz
- Display Resolution: 1920 x 1200; 24 Bit/Pixel Color

**ENVIRONMENTAL**

- Operating Temperature: 0°C - 40°C \ 32°F - 104°F
- Storage Temperature: -20°C - 60°C \ -4°F - 140°F
- Humidity: Up to 95% Non-Condensing

**ELECTRICAL**

- Power Requirements: 110VAC ±10%, 50/60Hz, 20 Amp Max  
220VAC ±10%, 50/60Hz, 10 Amp Max

**HEALTH AND SAFETY**

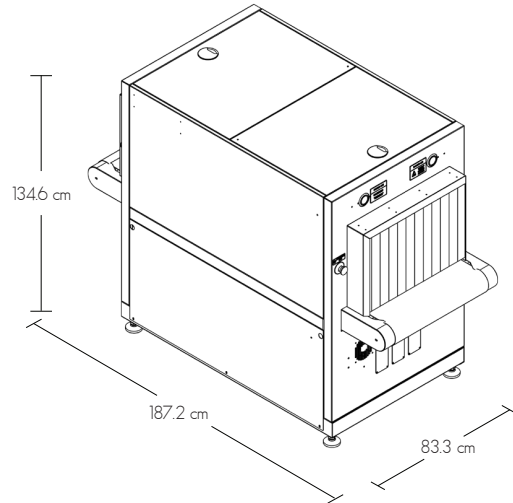
- Compliant with USFDA, Center for Devices and Radiation Health Standards for Cabinet X-Ray Systems (21-CFR 1020.40)
- Typical radiation leakage is less than 0.1 mR/hr (Leakage less than 0.5 mR/hr permitted by the Federal Standard)



<sup>1</sup> As tested on Astrophysics Inc. Test Piece.

<sup>2</sup> Weight and dimensions of the system may vary depending on customization.

<sup>3</sup> Optional accessories may affect lead time, price, and weight of VI-3D. Please contact your Astrophysics Sales Representative for more information. Due to continued product research and development, Astrophysics Inc. reserves the right to amend all technical specifications without prior notice.



**EXCLUSIVE FEATURES**

- Stainless Steel Frame Accents
- High Definition LCD Monitors
- Intel iCore 7 Processor
- Windows® 7 Operating System
- Enhanced Data Acquisition System
- Improved Software Performance and Reliability

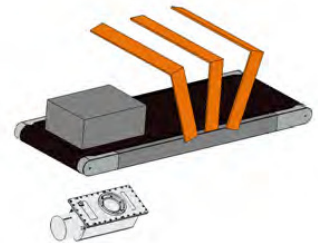
**STANDARD FEATURES**

- 6 Color Imaging
- 9 Quadrant Zoom
- Atomic Z-Number Measurement
- Auto Image Archiving (150,000)
- Baggage Counter
- Color and Black/ White Imaging
- Continuous Scanning
- Continuous Zoom up to 64x
- Vertical Zoom Panning
- Geometric Image Distortion Correction
- High Penetration Function
- Heavy Duty Roller Casters
- Image Annotation

- Image Review
- Material Discrimination
- Multi-Tier Accessibility
- Network Ready
- Organic/ Inorganic Imaging
- Operator Training Program (OTP)
- Picture Perfect
- Print Image Capable
- Pseudo Color
- Real-Time Image Manipulation
- Real-Time Self Diagnostics
- Reverse Monochrome
- Save Image (RGB)
- V-Class

**OPTIONAL FEATURES<sup>3</sup>**

- ASTM F792-88 Stepwedge/ASTM F792-08 Test Case
- Custom Paint
- Density Alert
- Extended Entry / Exit Roller Tables
- Footmat Operator Interlock
- Larger Heavy Duty Casters
- Local Language Support
- Monitor(s) Available Table Topped
- Polar Kit
- Radiation Meter
- Remote Workstation Configuration
- Sloped Conveyor
- Tropical Kit
- Barcode Scanning



21481 Ferrero Parkway • City of Industry • California 91789 USA  
 [ P ] 909.598.5488 • [ F ] 909.598.5546 • [ E ] sales@astrophysicsinc.com • www.astrophysicsinc.com

P/N: 05-00-P876-00 Rev. A

**PEO B.V.**

info@gotopeo.com  
www.gotopeo.com

**The Netherlands**

Havenweg 16, 6603 AS Wijchen  
+31 (0)24 648 86 88

**Belgium**

Watermolenstraat 2, B-2910 Essen  
+32 (0)3 309 32 09

CoC 34107894

VAT NL807859151B01

IBAN NL29 RABO 0356 1960 46

BIC RABONL2U

